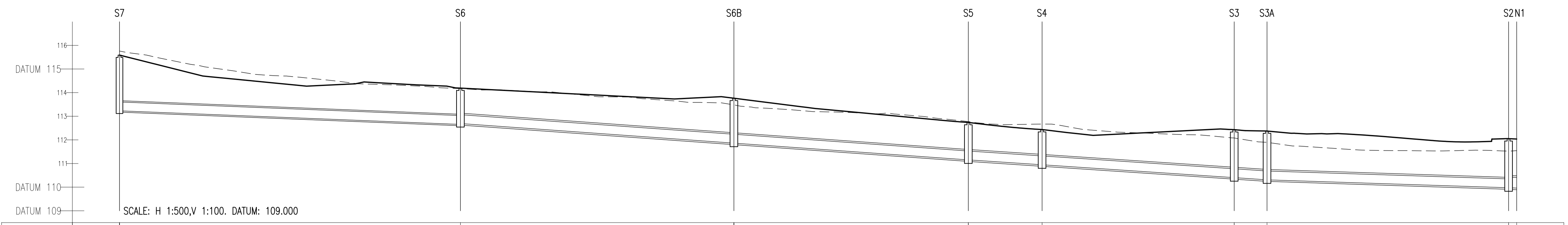
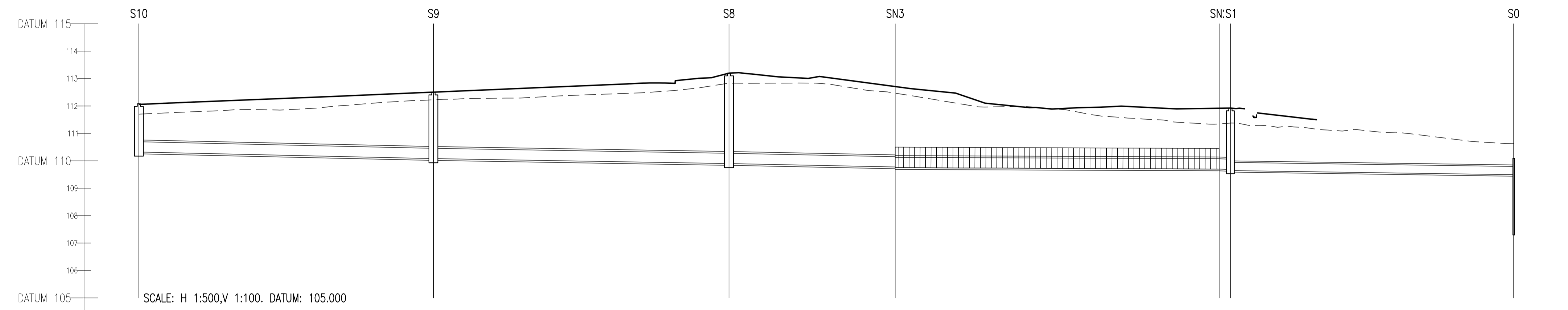


© COPYRIGHT OF THIS DRAWING IS RESERVED BY DBFL CONSULTING ENGINEERS. NO PART SHALL BE REPRODUCED OR TRANSMITTED WITHOUT THEIR WRITTEN PERMISSION.  
 NO CHANGES OF WHATSOEVER NATURE ARE TO BE MADE TO ANY DETAILS SET OUT OR CONTAINED IN ANY DBFL SPECIFICATIONS OR DRAWINGS UNLESS THE EXPRESS CONSENT HAS BEEN OBTAINED IN ADVANCE, IN WRITING, FROM DBFL.

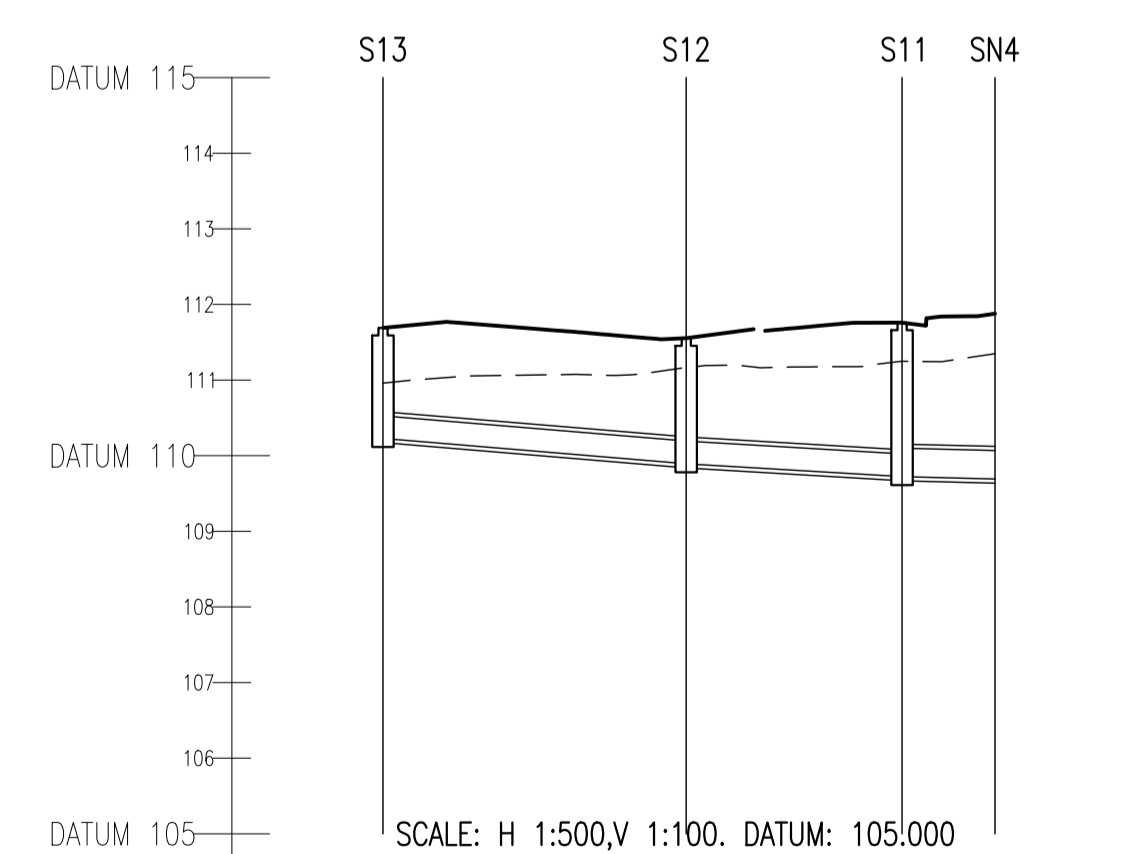
- NOTES:
1. ALL DRAWINGS TO BE CHECKED BY CONTRACTOR ON SITE AND ENGINEER INFORMED OF DISCREPANCIES BEFORE WORK COMMENCES
  2. ALL LEVELS ARE IN METRES AND ARE RELATED TO ORDNANCE DATUM
  3. CONTRACTOR SHALL SATISFY HIMSELF AS TO THE ACCURACY OF PAVEMENT LEVELS ON SITE PRIOR TO COMMENCEMENT OF WORKS ON SITE
  4. ALL WORKS TO BE CONSTRUCTED IN ACCORDANCE WITH THE NRA SPECIFICATION FOR ROAD WORKS UNLESS NOTED OTHERWISE
  5. THIS DRAWING IS FOR PLANNING PURPOSES ONLY
  6. MANHOLE COVER LEVELS ARE TO CONFORM WITH FINISHED ROAD AND PATH LEVELS
  7. WHERE COVER TO PIPE IS LESS THAN 1200mm (ROAD/PATH/VERGE) OR 900mm (OPEN SPACE) SURROUND PIPE IN MINIMUM 150mm CONCRETE



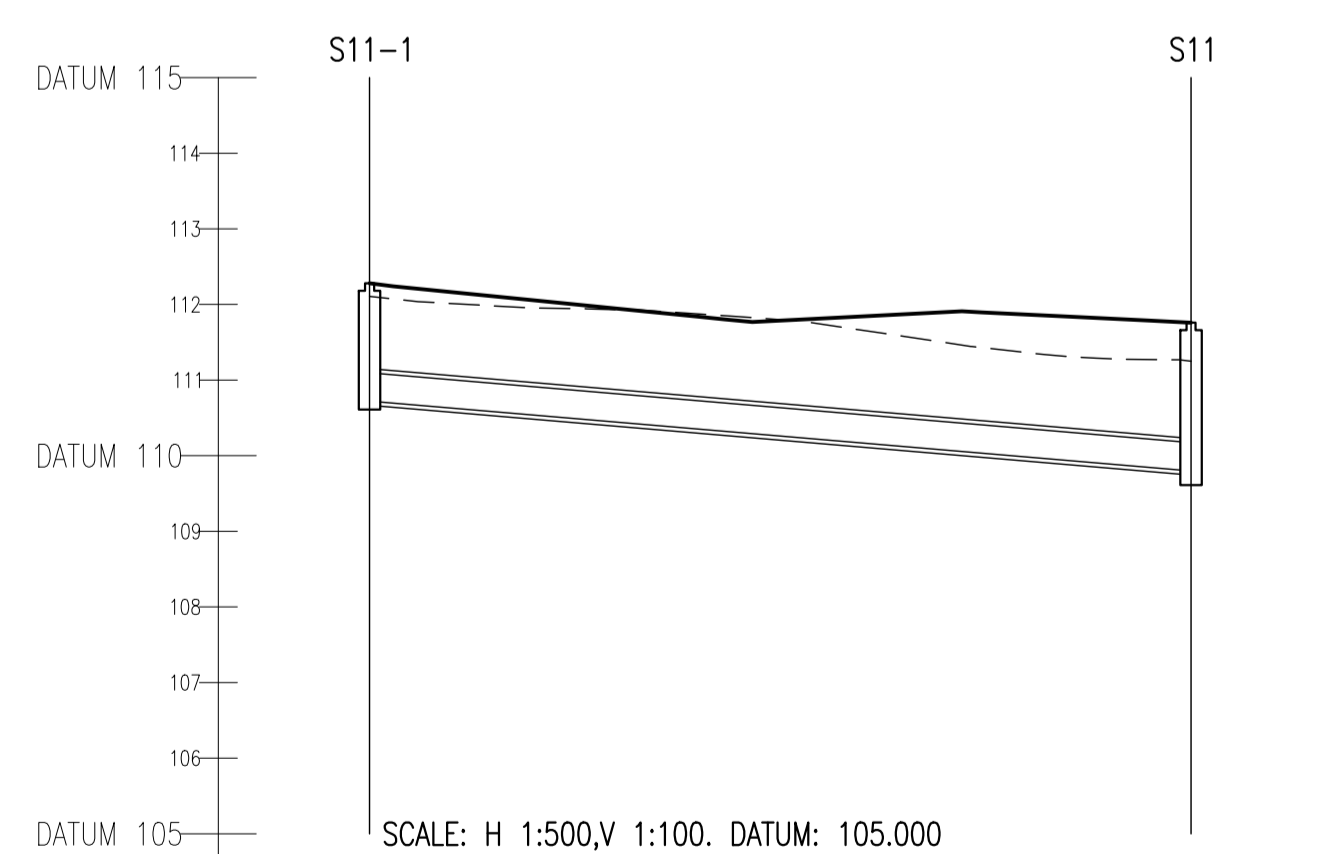
COVER LEVEL	115.388		114.91		113.763		112.437		112.376		112.051	110.509
INVERT LEVEL	113.230	1.000	112.654	1.001	111.863	1.001 (1)	111.154	1.002	110.946	1.003	110.403	110.000
DEPTH (m)	2.371		1.499		1.900		1.386		1.491		2.030	110.309
DISTANCE (m)		72.25		57.97		49.69	15.62		40.72		6.95	51.20
PIPE SLOPE		1:126		1:70		1:70	1:75		1:75		1:74	1:132
PIPE SIZE		375mm		375mm		375mm	375mm		375mm		375mm	450mm



COVER LEVEL	112.081		112.595		113.189		110.242		110.105		110.081
INVERT LEVEL	110.321	2.001	110.081	2.002	109.900	2.003	109.775	Pipe003 (4) (2)	109.700	1.009	109.493
DEPTH (m)	1.760		2.424		3.299		???		???		???
DISTANCE (m)		53.72		53.91		30.30		59.09	2.05		51.67
PIPE SLOPE		1:224		1:298		1:242		1:1182	1:108		1:344
PIPE SIZE		375mm		375mm		375mm		375mm	300mm		



COVER LEVEL	111.690		111.563		111.759	110.111
INVERT LEVEL	110.228	3.000	109.884	3.001	109.724	109.298
DEPTH (m)	1.425		1.622		1.998	???
DISTANCE (m)		20.05		14.28		6.14
PIPE SLOPE		1:60		1:84		1:198
PIPE SIZE		300mm		300mm		375mm



COVER LEVEL	112.281		111.759
INVERT LEVEL	110.722	4.000	109.798
DEPTH (m)	1.521		1.998
DISTANCE (m)		54.33	
PIPE SLOPE		1:59	
PIPE SIZE		375mm	

KEY  
 - - - - - EXISTING GROUND PROFILE  
 ——— PROPOSED GROUND PROFILE

P02	24-05-21	NEW SHD STAGE 3 PLANNING	PGC	DMW
P01	15-12-20	STAGE 3 SHD PLANNING	ICD	DMW
rev	date	description	by	chkd.
client approval		A - Approved		
		B - Approved with comments		
		C - Do not use		

S2 - INFORMATION PLANNING  
 DBFL Consulting Engineers  
 Civil, Structural & Transportation Engineering  
 www.dbfl.ie

DUBLIN OFFICE: Ormond House, Upper Ormond Quay, Dublin 7, D07 W704  
 PHONE +353 1 454 4000  
 CORK OFFICE: 14 South Mall, Cork, T12 CT91  
 PHONE +353 21 2624538  
 WATERFORD OFFICE: Suite 10 The Atrium, Maritime Gate, Canada Street, Waterford, X91 W028  
 PHONE +353 51 309 500

project ref.  
**COOLDOWN COMMONS PHASE 3**  
 drawing title  
**LONGITUDINAL SECTIONS THROUGH SW SEWERS - SHEET 1**

client  
**CAIRN HOMES**

designed by	author	scale	sheet size
DMW	ICD	AS NOTED	A1
drawing no.	revision		
190003-DBFL-SW-SP-DR-C-3003	P02		